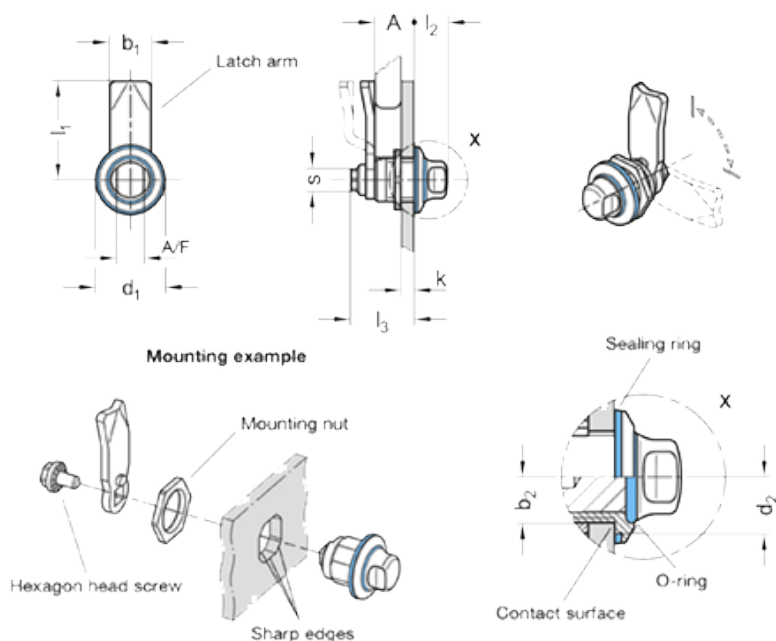


Article number: 20115022SW75FHE

Description: E+G Stainless steel latch GN 1150-FH-E
Hygienic Design

Measures



$A/F = 9$
 $b1 = 12$
 $b2 = 7$
 $d1 = 22$
 $d2 = 9$
 $g = 44$
 $l1 = 24$
 $l2 = 12.6$

$l3 = 21$
 $k_{min} = 1.5$
 $la = 7.5$
 $s = 8$